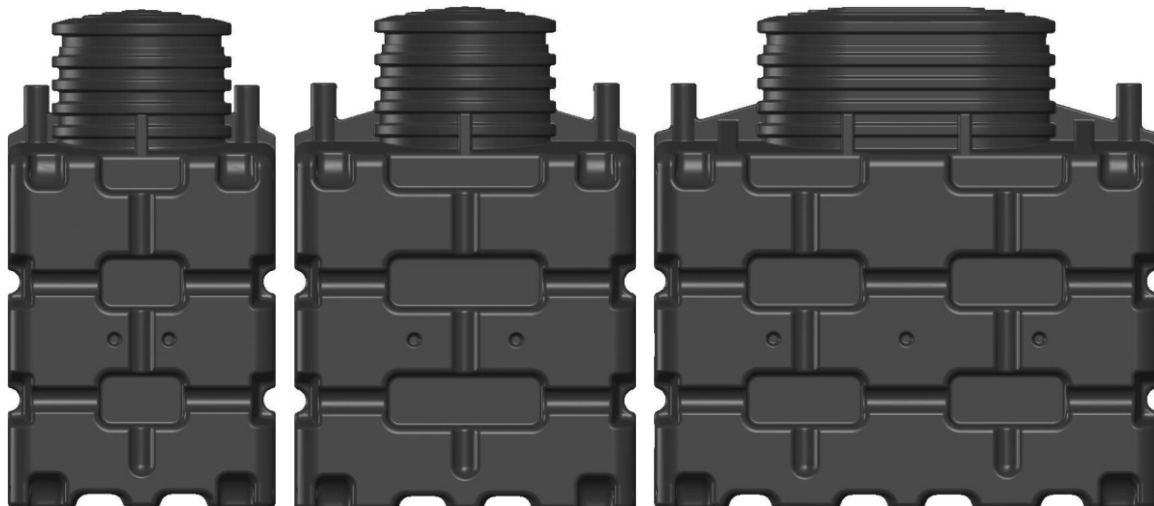
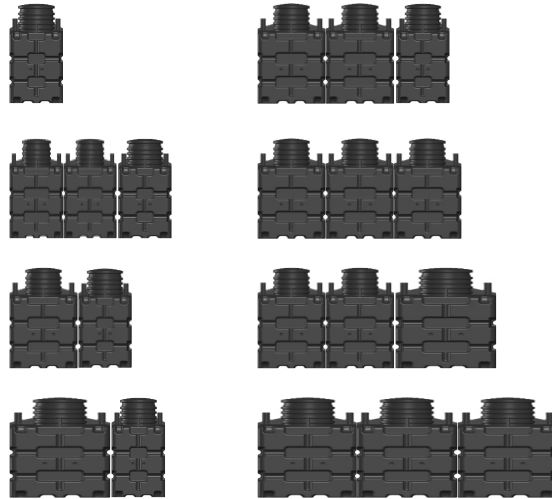


The BIOROCK units are designed to biologically purify pre-settled domestic wastewater, free of oils and greases (primary treatment). A modular conception enables the end user to increase the plant capacity proportionally (12, 24, 36, 48 P.E., etc.)

The units are easy to operate and maintain by its owner. No specific procedures are needed in normal conditions of use.



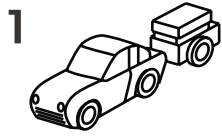
BIOROCK 5

BIOROCK 10

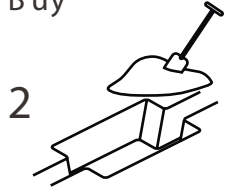
BIOROCK 15

BIOROCK 5

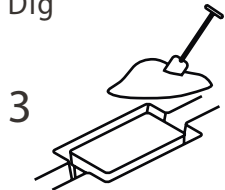
Package wastewater treatment unit, 5 P.E.



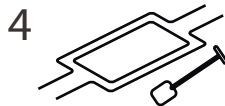
Buy



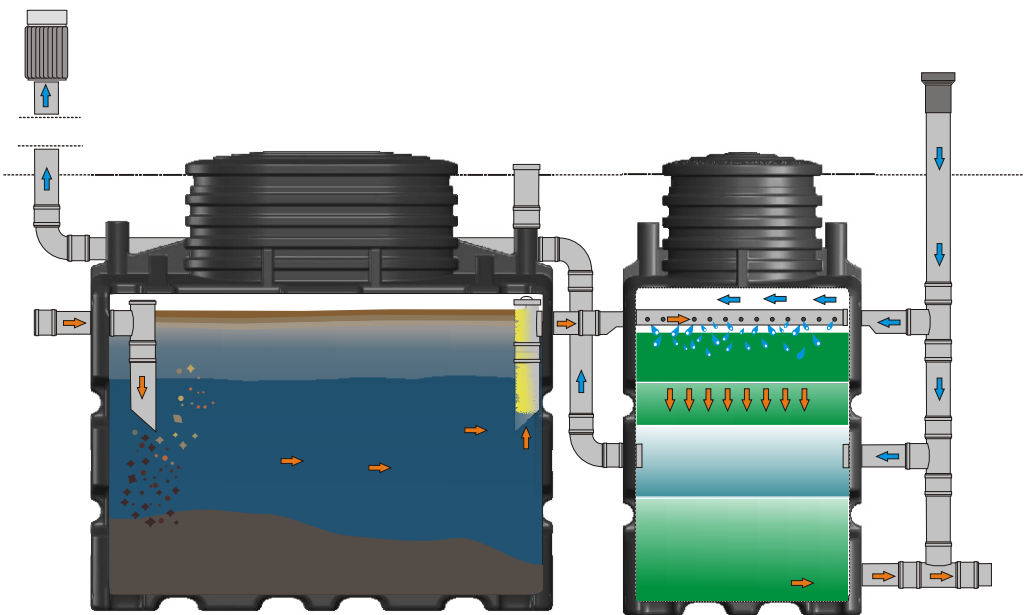
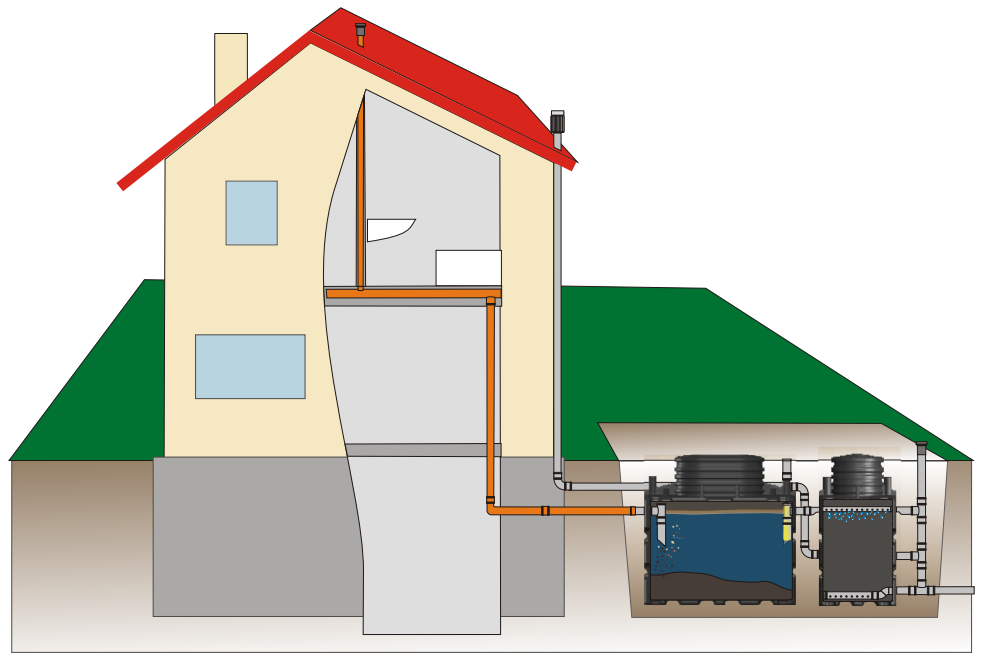
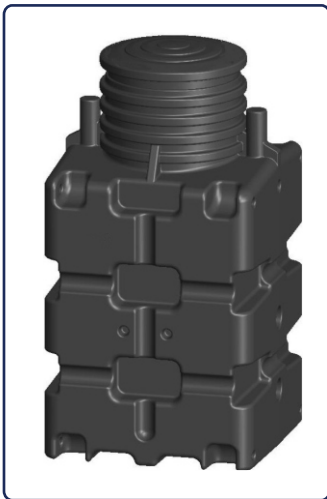
Dig



Install



Ready!



 **BIOROCK**
International

 - Hulsterweg 7a - 3980 Tessenderlo - Tel. 013/29 00 34 - Fax 013/29 00 36

www.aquasolar.be - info@aquasolar.be